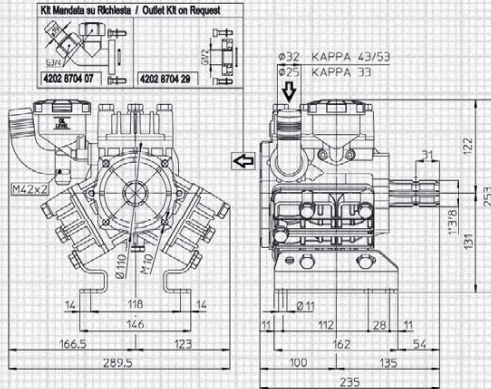


**KAPPA 33** max. 33 l/min - 9 GPM • 40 bar - 580 PSI • 550 RPM

**KAPPA 43** max. 46 l/min - 13 GPM • 40 bar - 580 PSI • 550 RPM

**KAPPA 53** max. 55 l/min - 15 GPM • 40 bar - 580 PSI • 550 RPM



alberi P. di F. disponibili available P.T.O. shaft



2



1-4-14-15



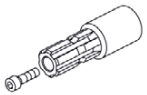
1

2

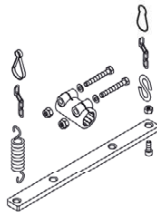
Per le dimensioni degli Alberi P. di F. vedi pag. 35

For P.T.O. Shaft dimensions see page 35

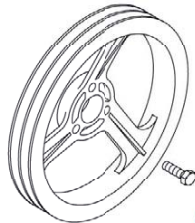
applicazioni shaft adaptors



1



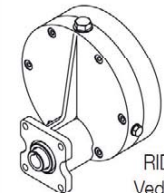
2



4



14



RIDUTTORI **15**  
Vedi pag. 42/43

GEAR REDUCTIONS **15**  
See page 42/43

MOD.	RPM	0 bar / 0 PSI				10 bar / 145 PSI				20 bar / 290 PSI				30 bar / 435 PSI				40 bar / 580 PSI				Peso Weight
		Portata Flow rate		Potenza Power		Portata Flow rate		Potenza Power		Portata Flow rate		Potenza Power		Portata Flow rate		Potenza Power		Portata Flow rate		Potenza Power		
		l/min	GPM	HP	kW	l/min	GPM	HP	kW	l/min	GPM	HP	kW	l/min	GPM	HP	kW	l/min	GPM	HP	kW	
<b>KAPPA 33</b>	400	24.1	6.4	0.2	0.2	21.9	5.8	0.6	0.5	21.3	5.6	1.1	0.8	20.9	5.5	1.6	1.2	20.5	5.4	2.1	1.5	11
	450	27.0	7.1	0.3	0.2	24.7	6.5	0.7	0.5	24.1	6.4	1.3	0.9	23.7	6.3	1.8	1.4	23.3	6.2	2.4	1.8	
	500	29.8	7.9	0.3	0.2	27.5	7.3	0.8	0.6	26.9	7.1	1.4	1.0	26.5	7.0	2.1	1.5	26.1	6.9	2.7	2.0	
	550	33.0	9.0	0.3	0.2	30.2	8.0	0.9	0.6	29.6	7.8	1.6	1.1	29.2	7.7	2.3	1.7	28.8	7.6	3.0	2.2	
<b>KAPPA 43</b>	400	33.7	8.9	0.3	0.2	31.8	8.4	0.9	0.7	31.4	8.3	1.7	1.2	31.1	8.2	2.4	1.8	30.8	8.1	3.2	2.3	11
	450	38.0	10.0	0.4	0.3	36.0	9.5	1.0	0.8	35.6	9.4	1.9	1.4	35.3	9.3	2.7	2.0	35.0	9.2	3.6	2.6	
	500	42.2	11.1	0.4	0.3	40.1	10.6	1.1	0.8	39.7	10.5	2.1	1.5	39.4	10.4	3.1	2.3	39.1	10.3	4.0	2.9	
	550	46.0	13.0	0.5	0.3	43.5	11.5	1.2	0.9	43.1	11.4	2.3	1.7	42.7	11.3	3.3	2.4	42.3	11.2	4.3	3.2	
<b>KAPPA 53</b>	400	40.2	10.6	0.4	0.3	38.2	10.1	1.1	0.8	37.8	10.0	2.0	1.5	37.4	9.9	2.9	2.1	37.0	9.8	3.8	2.8	11
	450	45.0	11.9	0.4	0.3	42.9	11.3	1.2	0.9	42.4	11.2	2.2	1.6	42.0	11.1	3.3	2.4	41.6	11.0	4.3	3.1	
	500	49.7	13.1	0.5	0.4	47.5	12.5	1.4	1.0	47.0	12.4	2.5	1.8	46.6	12.3	3.6	2.7	46.2	12.2	4.7	3.5	
	550	55.0	15.0	0.5	0.4	52.4	13.8	1.5	1.1	51.9	13.7	2.7	2.0	51.4	13.6	4.0	2.9	50.8	13.4	5.2	3.8	