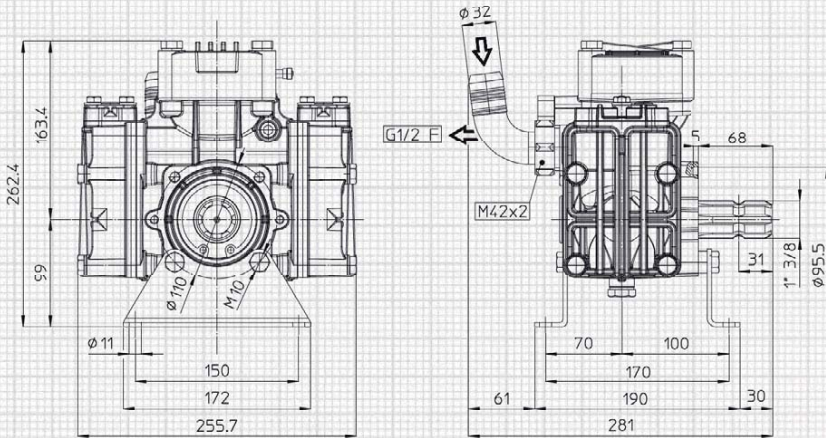


DELTA 40
DELTA 50

max. 49 l/min - 13 GPM • 40 bar - 580 PSI • 550 RPM

max. 54 l/min - 15 GPM • 40 bar - 580 PSI • 550 RPM



alberi P. di F. disponibili available P.T.O. shaft

 1C 2	 TS 1C 1 2	 GR 1-4-14-15	 TS FVA 1 4-5-14-15	<p>Per le dimensioni degli Alberi P. di F. vedi pag. 35</p> <p>For P.T.O. Shaft dimensions see page 35</p>
--------------------	-------------------------	----------------------------	----------------------------------	--

applicazioni shaft adaptors

 1	 2	 4	 14	 RIDOTTORI 15 Vedi pag. 42/43 GEAR REDUCTIONS 15 See page 42/43
-------	-------	-------	--------	---

MOD.	RPM	0 bar / 0 PSI				10 bar / 145 PSI				20 bar / 290 PSI				30 bar / 435 PSI				40 bar / 580 PSI				Peso Weight Kg
		Portata Flow rate		Potenza Power		Portata Flow rate		Potenza Power		Portata Flow rate		Potenza Power		Portata Flow rate		Potenza Power		Portata Flow rate		Potenza Power		
		l/min	GPM	HP	kW	l/min	GPM	HP	kW	l/min	GPM	HP	kW	l/min	GPM	HP	kW	l/min	GPM	HP	kW	
DELTA 40	400	37.8	10.0	0.4	0.3	26.8	7.1	0.8	0.6	26.3	6.9	1.4	1.0	25.9	6.8	2.0	1.5	25.6	6.8	2.6	1.9	11
	450	41.2	10.9	0.4	0.3	30.2	8.0	0.9	0.6	29.7	7.8	1.6	1.1	29.3	7.7	2.3	1.7	29.0	7.7	3.0	2.2	
	500	44.7	11.8	0.4	0.3	33.6	8.9	1.0	0.7	33.1	8.7	1.7	1.3	32.7	8.6	2.5	1.9	32.4	8.6	3.3	2.4	
	550	49.0	13.0	0.5	0.4	36.9	9.7	1.1	0.8	36.4	9.6	1.9	1.4	36.0	9.5	2.8	2.1	35.7	9.4	3.7	2.7	
DELTA 50	400	41.6	11.0	0.4	0.3	31.7	8.4	0.9	0.7	31.1	8.2	1.6	1.2	30.6	8.1	2.4	1.8	30.2	8.0	3.1	2.3	11
	450	46.1	12.2	0.5	0.3	36.2	9.6	1.0	0.8	35.6	9.4	1.9	1.4	35.1	9.3	2.7	2.0	34.7	9.2	3.6	2.6	
	500	50.0	13.2	0.5	0.4	40.1	10.6	1.1	0.8	39.5	10.4	2.1	1.5	39.0	10.3	3.0	2.2	38.6	10.2	4.0	2.9	
	550	54.0	15.0	0.5	0.4	43.4	11.5	1.2	0.9	42.8	11.3	2.3	1.7	42.3	11.2	3.3	2.4	42.0	11.1	4.3	3.2	